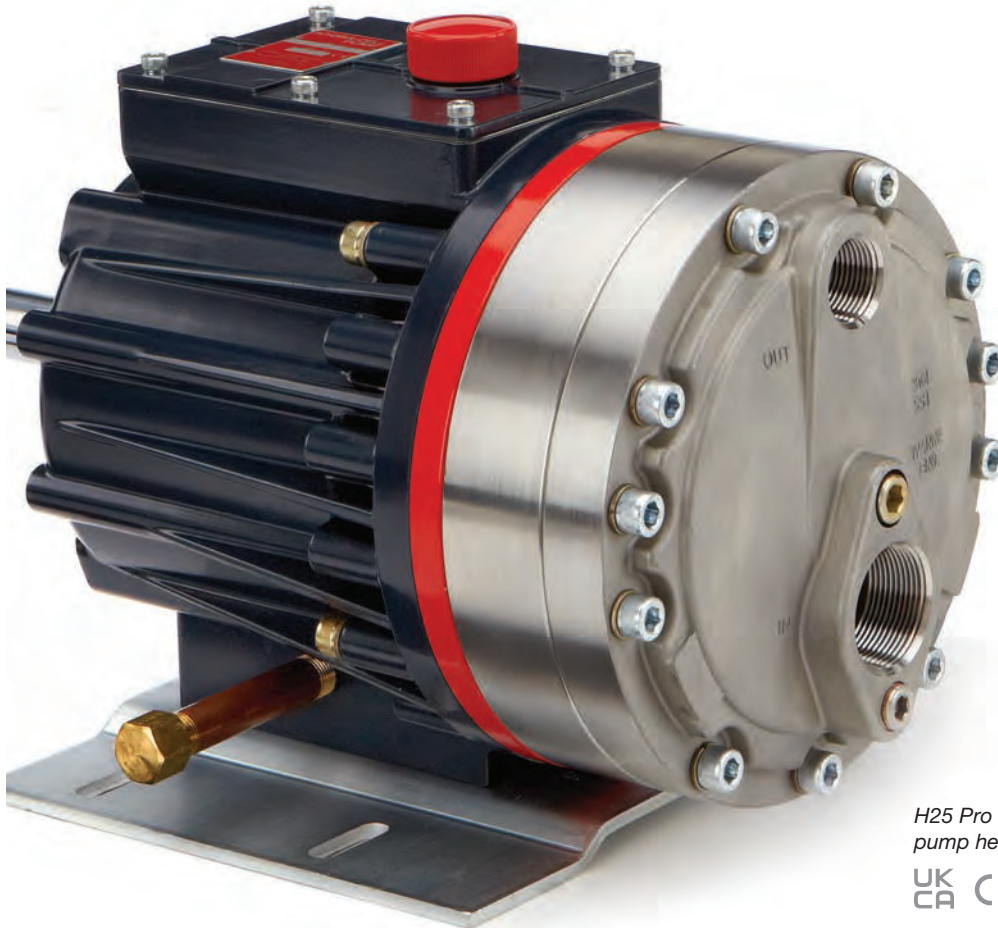


# H25 PRO SERIES

Maximum Flow Rate: 20.0 gpm (75.9 l/min)  
Maximum Pressure: 1000 psi (69 bar) for Metallic Pump Heads  
350 psi (24 bar) for Non-metallic Pump Heads

 **WANNER™** HYDRA-CELL® PRO  
SEAL-LESS PUMP TECHNOLOGIES



*H25 Pro with 316L Stainless Steel pump head.*

UK CA CE

## Versatile, reliable pumps for a wide range of applications.

- Pumps the full spectrum of low-to-high viscosity fluids.
- Features a seal-less design and horizontal disk check valves that enable the pump to handle abrasives and particulates that might damage or destroy other types of pumps.
- Simple, compact design reduces initial investment and lowers maintenance costs.
- Operational efficiencies reduce energy costs.
- Able to run dry without damage (or additional maintenance) to the pump in case of accident or operator error.
- Tolerates non-ideal operating conditions.
- Minimizes maintenance and downtime because there are no mechanical or dynamic seals, packing, or cups to leak, wear, or replace.

  
**WANNER™**

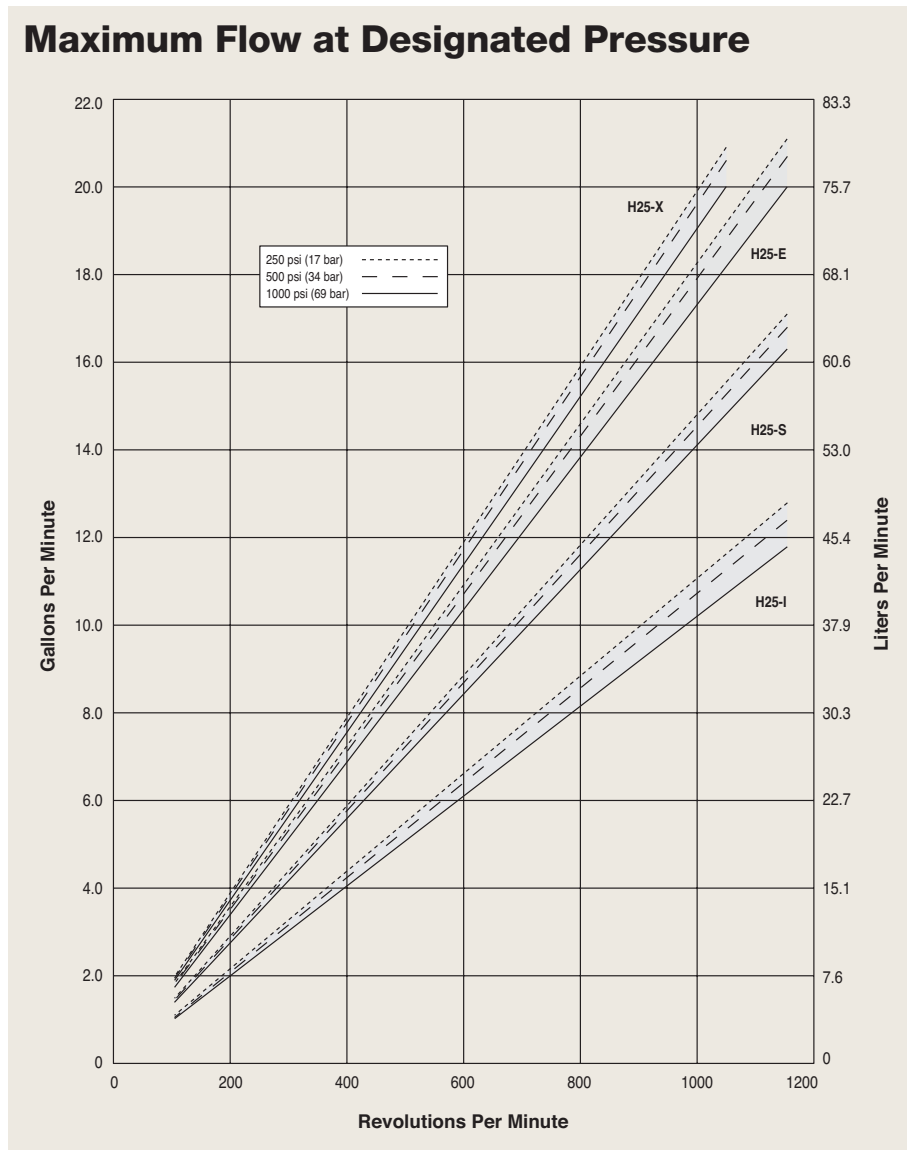
# H25 Pro Series | Performance

## Capacities

Model	Max. Input rpm	Max. Flow Capacities @1000 psi (69 bar)		Max. Inlet Pressure		Max. Discharge Pressure					
		gpm	l/min	psi	bar	Metallic Heads		Polypropylene Heads		PVDF Heads	
						psi	bar	psi	bar	psi	bar
H25-X	1050	20.0	75.7	250	17	1000	69	250	17	350	24
H25-E	1150	20.0	75.9	250	17	1000	69	250	17	350	24
H25-S	1150	16.2	61.5	250	17	1000	69	250	17	350	24
H25-I	1150	11.8	44.7	250	17	1000	69	250	17	350	24

Performance and specification ratings apply to H25 configurations unless specifically noted otherwise.

## Maximum Flow at Designated Pressure



Due to the Wanner Engineering Continuous Improvement Program, specifications and other data are subject to change.

# H25 Pro Series | Specifications

## Flow Capacities @1000 psi (69 bar)

Model	rpm	gpm	l/min
H25-X	1050	20.0	75.7
H25-E	1150	20.0	75.9
H25-S	1150	16.2	61.5
H25-I	1150	11.8	44.7

## Delivery @1000 psi (69 bar)

Model	gal/rev	liters/rev
H25-X	0.0190	0.0721
H25-E	0.0174	0.0660
H25-S	0.0141	0.0535
H25-I	0.0103	0.0389

## Maximum Discharge Pressure

Metallic Heads:	1000 psi (69 bar)
Non-metallic Heads:	250 psi (17 bar) Polypropylene 350 psi (24 bar) PVDF

## Maximum Inlet Pressure 250 psi (17 bar)

## Maximum Operating Temperature

Metallic Heads:	250°F (121°C) Consult factory for correct component selection for temperatures from 160°F (71°C) to 250°F (121°C).
Non-metallic Heads:	140°F (60°C)

## Maximum Solids Size 800 microns

## Inlet Port 1-1/2 inch NPT 150lb ANSI RF flange

## Discharge Port 1 inch NPT 600lb ANSI RF flange

## Calculating Required Power

$$\frac{50 \times \text{rpm}}{63,000} + \frac{\text{gpm} \times \text{psi}}{1,460} = \text{electric motor hp}$$

$$\frac{50 \times \text{rpm}}{84,428} + \frac{\text{l/min} \times \text{bar}}{511} = \text{electric motor kW}$$

### Attention!

When using a variable frequency drive (VFD) controller, calculate the hp or kW at minimum and maximum pump speed to ensure the correct hp or kW motor is selected. Note that motor manufacturers typically de-rate the service factor to 1.0 when operating with a VFD.

## Calculating Pulley Size

$$\frac{\text{motor pulley OD}}{\text{pump rpm}} = \frac{\text{pump pulley OD}}{\text{motor rpm}}$$

## Shaft Diameter 1-1/8 inch (28.6 mm)

## Shaft Rotation Reverse (bi-directional)

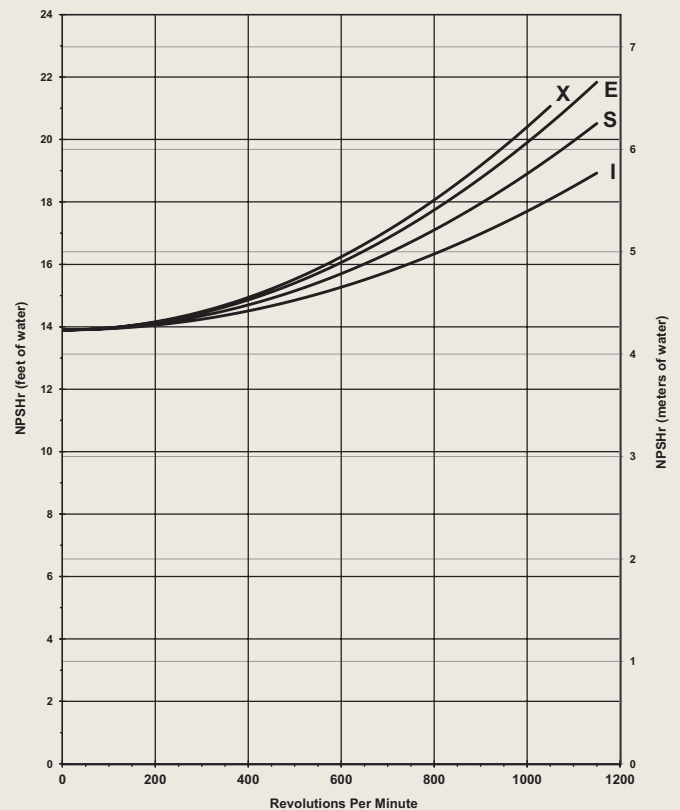
## Bearings Tapered roller bearings

## Oil Capacity 3.3 US quarts (3.1 liters)

## Weight

Metallic Heads:	125 lbs. (56.8 kg)
Non-metallic Heads:	90 lbs. (40.9 kg)

## Net Positive Suction Head (NPSHr)



Note: Positive inlet pressure required with PTFE diaphragms.

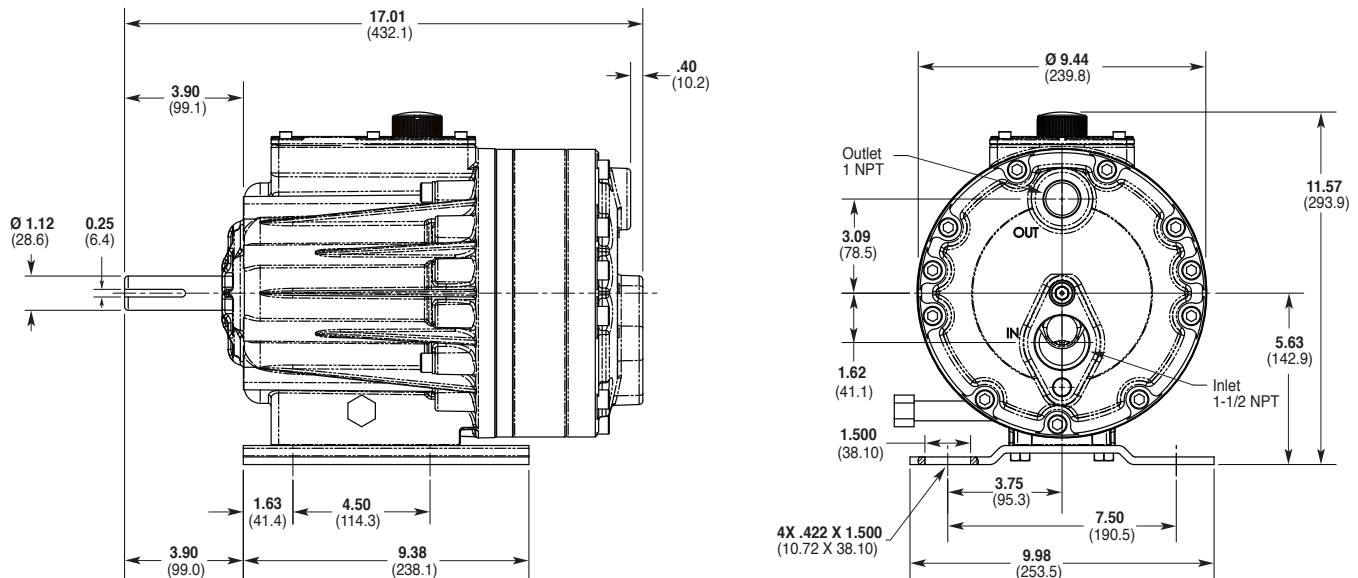
## Suction Lift

Each Hydra-Cell pump has different lift capability depending on model size, cam angle, speed, and fluid characteristics. To ensure that your specific lift characteristics are met, refer to the inlet calculations regarding friction, and acceleration head losses in your Hydra-Cell Product Manual. Compare those calculations to the NPSHr curves above.

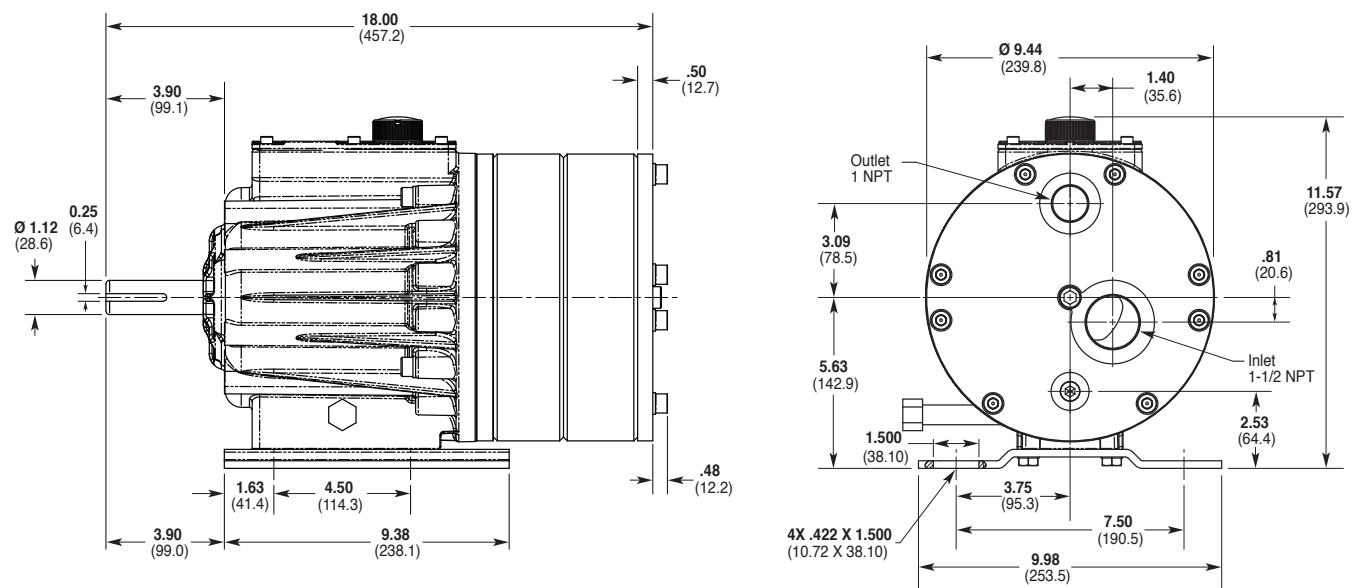
Due to the Wanner Engineering Continuous Improvement Program, specifications and other data are subject to change.

# H25 Pro Series | Representative Drawings

## H25 Models with Metallic Pump Head Inches (mm)



## H25 Models with Non-metallic Pump Head Inches (mm)



**Note:** Dimensions are for reference only. Contact factory for certified drawings.

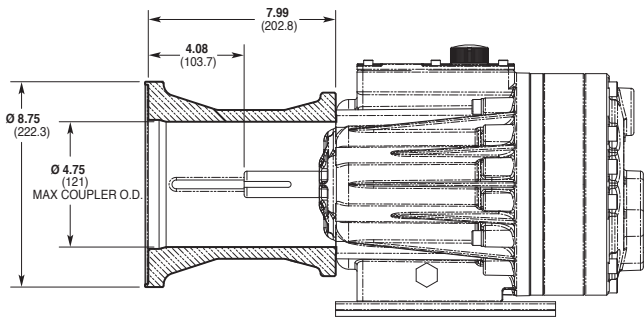
# H25 Pro Series | Adapters / Valves

## Pump/Motor Adapter Inches (mm)

### Part Number: A04-041-1200

For: 182TC, 184TC, 213, 215TC, 254 and 256TC frame motors.

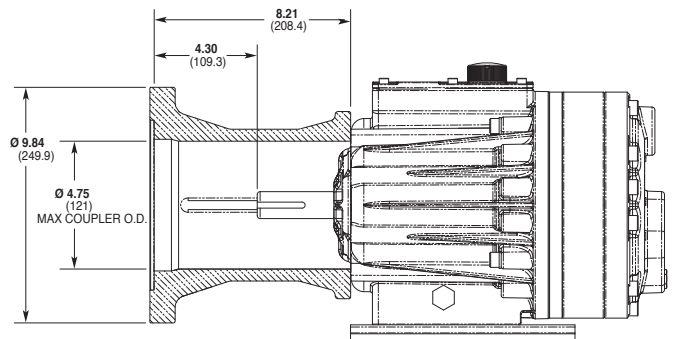
*Metric adapter available - consult factory.*



### Part Number: A04-041-1202

For: 284TC and 286TC frame motors.

*Metric adapter available - consult factory.*



**Note:** Dimensions are for reference only. Contact factory for certified drawings.

## Valve Selection

A seal-less **C63 Pressure Regulating Valve** is recommended for Hydra-Cell Pro H25 pumping systems, especially for high-pressure requirements or when handling dirty fluids.



A **C23 Pressure Regulating Valve** provides a capable, lower-cost alternative to C63 valves for Hydra-Cell Pro H25 pumping systems.



*Skid-mounted H25 with 15hp, 3-phase motor.*

For complete specifications and ordering information, consult the Hydra-Cell Master Catalog.

# H25 Pro Series | How to Order

## Ordering Information

A complete H25 Series Model Number contains 12 digits including 9 customer-specified design and materials options, for example: H25XKCGNNECA.

1	2	3	4	5	6	7	8	9	10	11	12
H	2	5									

Digit	Order Code	Description
<b>1-3</b>		<b>Pump Configuration</b>
	H25	Shaft-driven (NPT Ports or ANSI Flanges)* <i>*Pump/motor adapters ordered separately. See previous page.</i>
<b>4</b>		<b>Hydraulic End Cam</b>
	X	Max 20.0 gpm (75.7 l/min) @ 1050 rpm
	E	Max 20.0 gpm (75.9 l/min) @ 1150 rpm
	S	Max 16.2 gpm (61.5 l/min) @ 1150 rpm
	I	Max 11.8 gpm (44.7 l/min) @ 1150 rpm
<b>5</b>		<b>Pump Head Version</b>
	K	Kel-Cell NPT Ports
	M	Machined housing to accept C-face adapter/gearbox
<b>6</b>		<b>Pump Head Material</b>
	B	Brass
	C	Cast Iron (Nickel-plated)
	G	Duplex Alloy 2205 Stainless Steel (with Hastelloy C followers & follower screws)
	M	PVDF (with Hastelloy C followers & follower screws)
	N	Polypropylene (with Hastelloy C followers & follower screws)
	P	Polypropylene (with 316L Stainless Steel followers & follower screws)
	R	316L Stainless Steel ANSI flange class 150 x 600
	S	316L Stainless Steel
	T	Hastelloy CW12MW
<b>7</b>		<b>Diaphragm &amp; O-ring Material</b>
	A	Aflas diaphragm / PTFE o-ring
	E	EPDM (requires EPDM-compatible oil – Digit 12 oil code C)
	G	FKM
	J	PTFE (available with E and S cams only; 1050 rpm max.)
	P	Neoprene
	T	Buna-N
<b>8</b>		<b>Valve Seat Material</b>
	C	Ceramic
	D	Tungsten Carbide
	H	17-4 Stainless Steel
	N	Nitronic 50
	T	Hastelloy C

Digit	Order Code	Description
<b>9</b>		<b>Valve Material</b>
	C	Ceramic
	D	Tungsten Carbide
	F	17-4 Stainless Steel
	N	Nitronic 50
	T	Hastelloy C
<b>10</b>		<b>Valve Springs</b>
	E	Elgiloy
	H	17-7 Stainless Steel
	T	Hastelloy C
<b>11</b>		<b>Valve Spring Retainers</b>
	C	Celcon
	H	17-7 Stainless Steel (used with metallic heads only)
	M	PVDF
	P	Polypropylene
	T	Hastelloy C (used with metallic heads only)
	Y	Nylon (Zytel)
<b>12</b>		<b>Hydra-Oil</b>
	A	10W30 standard-duty oil
	B	40-wt for continuous-duty oil (use with 316L SST or Hastelloy CW12MW pump head - standard)
	C	EPDM-compatible oil
	E	Food-contact oil
	G	5W30 cold-temp severe-duty synthetic oil
	H	15W50 high-temp severe-duty synthetic oil

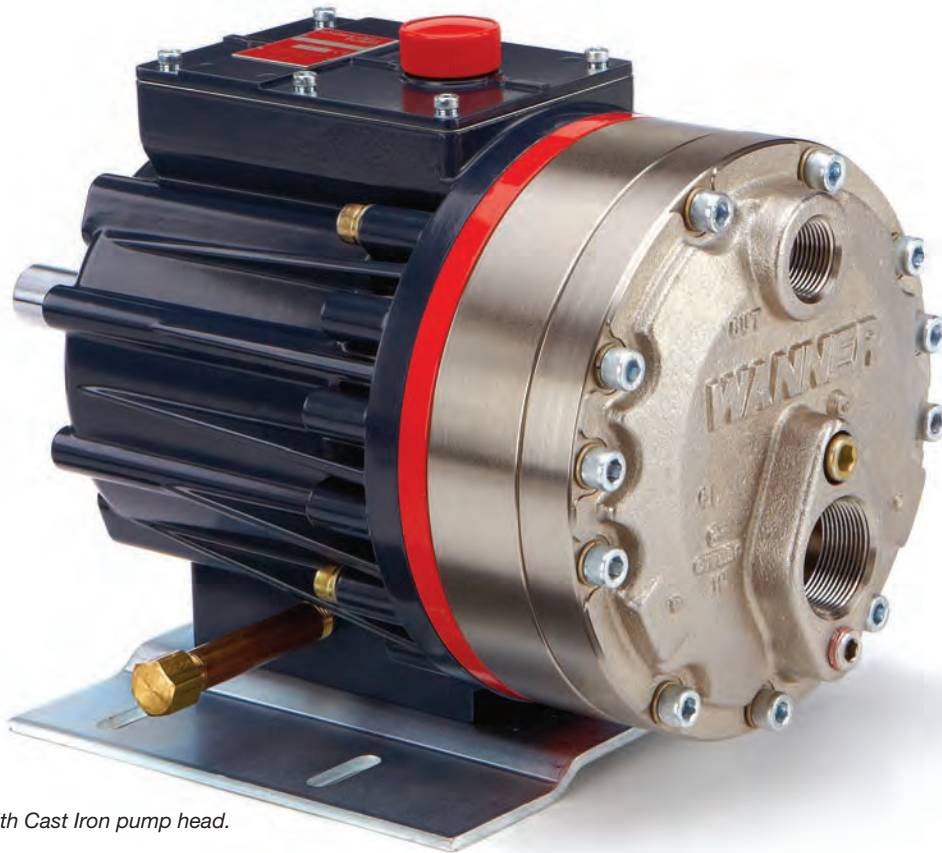
**H25 Pump Housing is standard as Cast Aluminum.**

Upgrade to Ductile Iron available.

# D10 Pro Series | Options

## Consult the Hydra-Cell Master Catalog for:

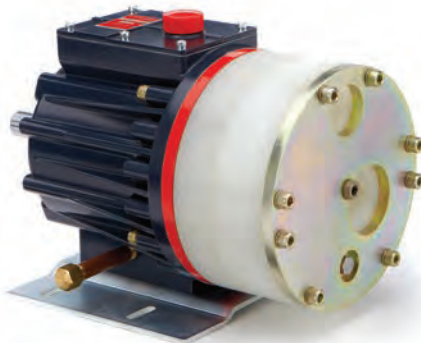
- Motors, bases, couplings and other pump accessories
- Hydra-Oil selection and specification information
- Design considerations, installation guidelines, and other technical assistance in pump selection



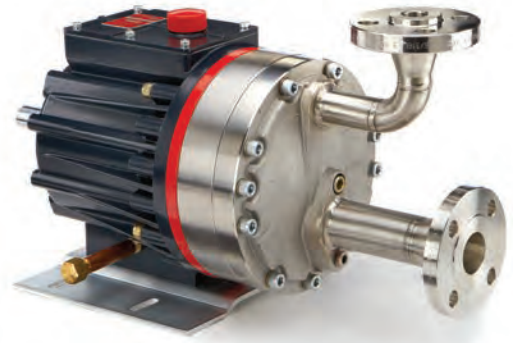
*H25 Pro with Cast Iron pump head.*



*H25 Pro with Brass pump head.*

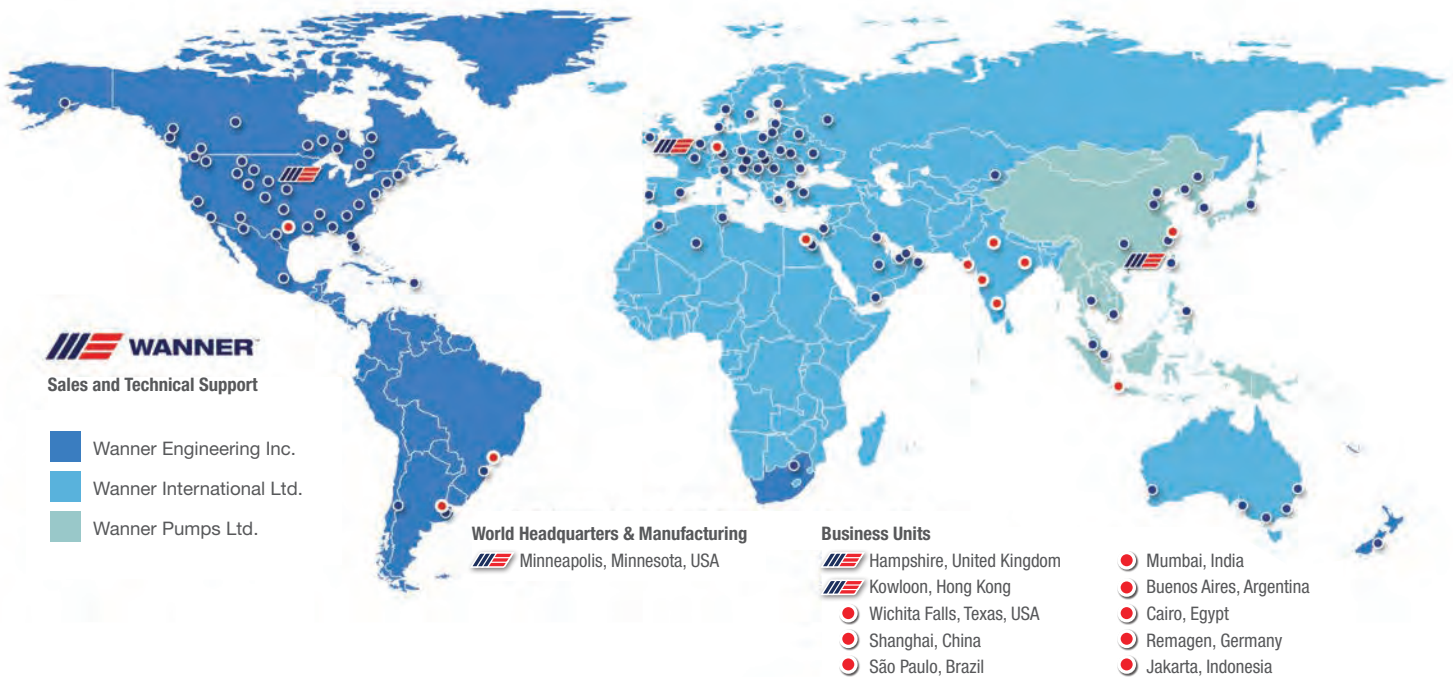


*H25 Pro with Polypropylene pump head.*



*H25 Pro with 316L Stainless Steel pump head and ANSI flanges.*

## Partners in over 70 countries



## Wanner worldwide

GLOBAL SALES & TECHNICAL SUPPORT

### WANNER ENGINEERING, INC.™

WORLD HEADQUARTERS & MANUFACTURING

Minneapolis, Minnesota USA  
t: 612-332-5681  
e: sales@wannereng.com  
Hydra-Cell.com

### REGIONAL OFFICE

Wichita Falls, Texas USA  
t: 940-322-7111  
e: sales@wannereng.com

### LATIN AMERICAN OFFICE

São Paulo, Brazil  
t: +55 (11) 99582-1969  
e: mmagoni@wannereng.com  
Hydra-Cell-Pumps.com.br

### WANNER INTERNATIONAL, LTD.™

UNITED KINGDOM

8 & 9 Fleet Business Park  
Sandy Lane • Church Crookham  
Hampshire UK GU52 8BF

t: +44 (0) 1252 816847  
e: support@wannerint.com  
Hydra-Cell.co.uk

### WANNER PUMPS, LTD.™

Kowloon, HONG KONG

t: +852 3428 6534  
e: sales@wannerpumps.com  
WannerPumps.com

Shanghai, CHINA  
t: +86-21-6876 3700  
e: sales@wannerpumps.com  
WannerPumps.com

